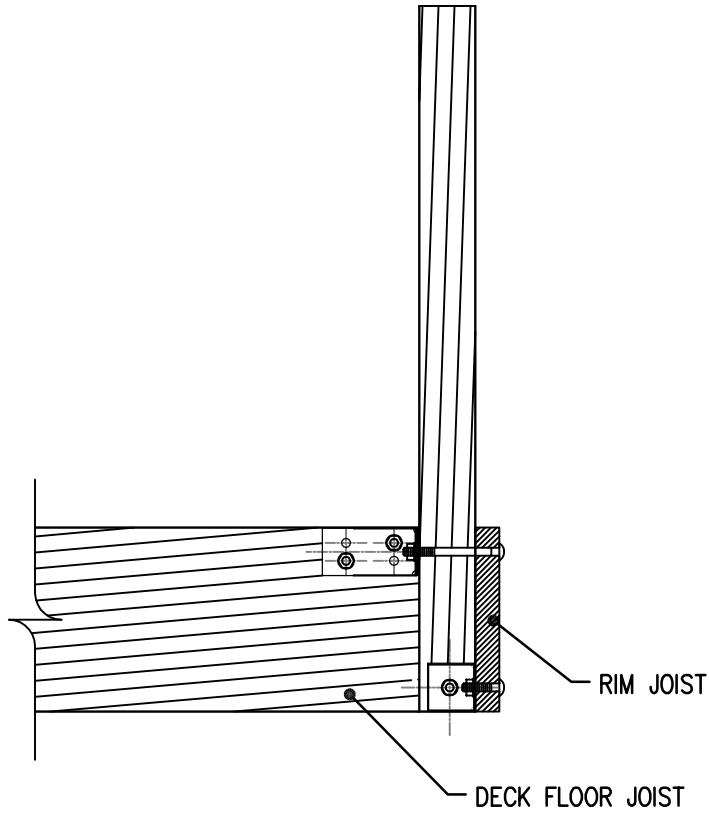


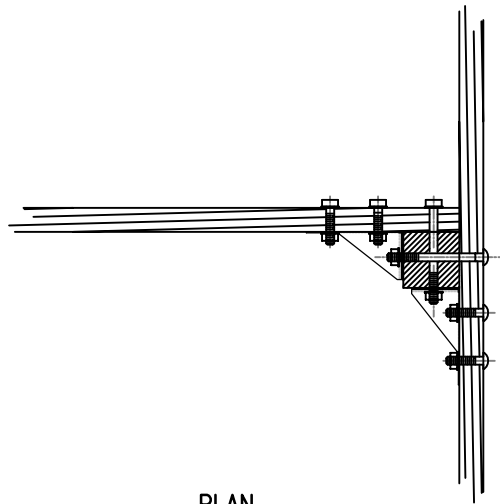
A RAILING POST INSTALLATION

SCALE:
1"=1'-0"

COMPANY LOGO AND ADDRESS	Project Title Title 1 Title 2 Location1 Location2	Project No: ####-## Date: mm/dd/yy Scale: 1"=1'-0" Drawn: CAD PM: ARCH	Item: A-
			Detail: NUM



SECTION

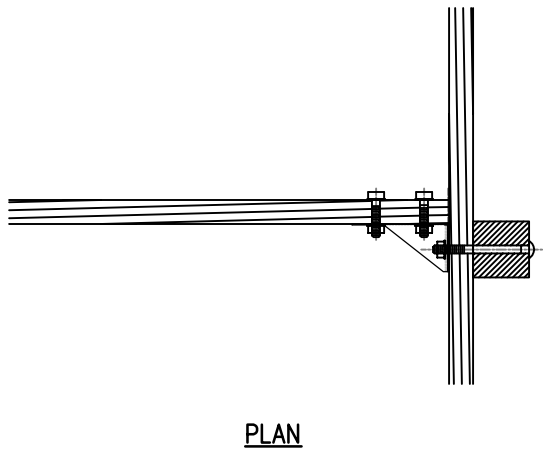
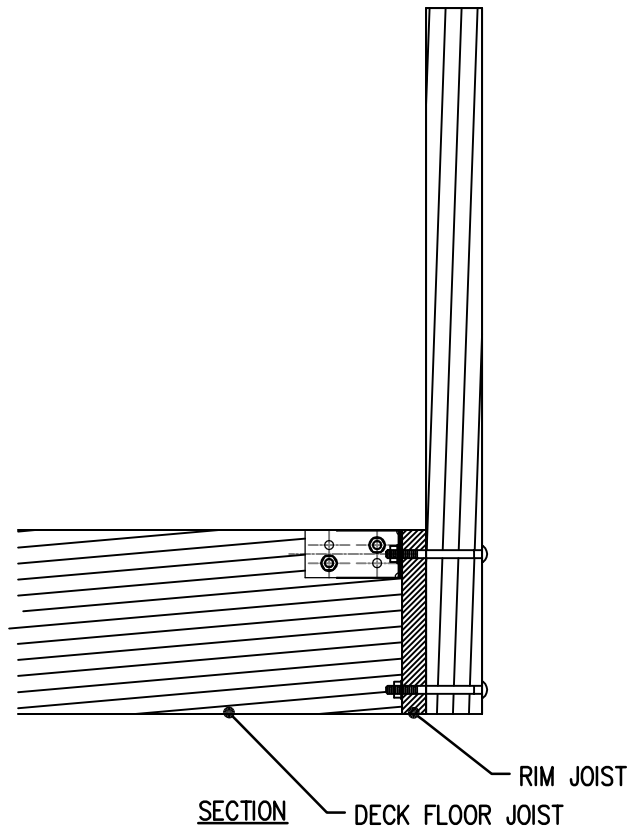


PLAN

B RAILING POST INSTALLATION

SCALE:
1"=1'-0"

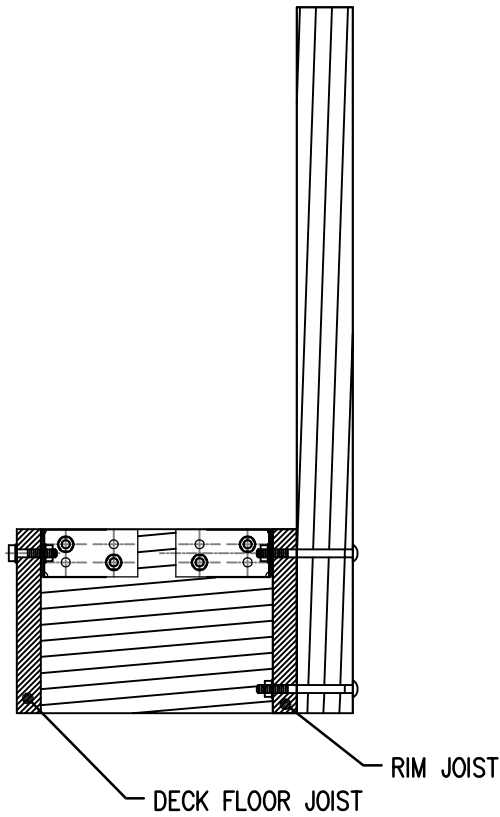
COMPANY LOGO AND ADDRESS	Project Title Title 1 Title 2 Location1 Location2	Project No: ####-## Date: mm/dd/yy Scale: 1"=1'-0" Drawn: CAD PM: ARCH	Item: A-
			Detail: NUM



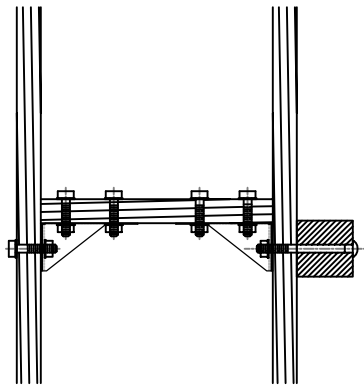
C RAILING POST INSTALLATION

SCALE:
1"=1'-0"

COMPANY LOGO AND ADDRESS	Project Title Title 1 Title 2 Location1 Location2	Project No: ####-## Date: mm/dd/yy Scale: 1"=1'-0" Drawn: CAD PM: ARCH	Item: A-
			Detail: NUM



SECTION

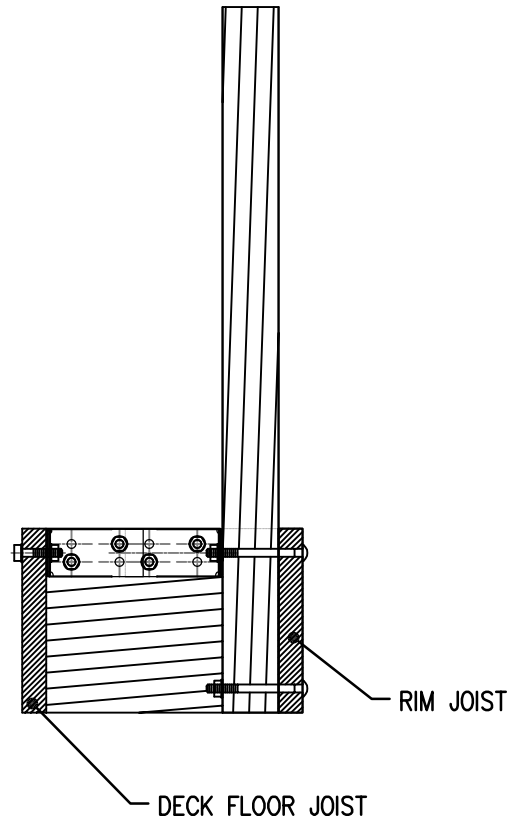


PLAN

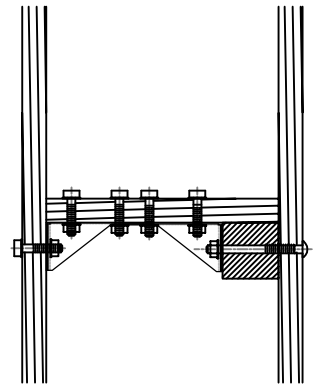
D RAILING POST INSTALLATION

SCALE:
1"=1'-0"

COMPANY LOGO AND ADDRESS	Project Title Title 1 Title 2 Location1 Location2	Project No: ####-## Date: mm/dd/yy Scale: 1"=1'-0" Drawn: CAD PM: ARCH	Item: A-
			Detail: NUM



SECTION



PLAN

E	RAILING POST INSTALLATION	SCALE: 1"=1'-0"
----------	----------------------------------	--------------------

COMPANY LOGO AND ADDRESS	Project Title	Project No: ####-##	Item:
	Title 1 Title 2 Location1 Location2	Date: mm/dd/yy Scale: 1"=1'-0" Drawn: CAD PM: ARCH	A-
			Detail: NUM