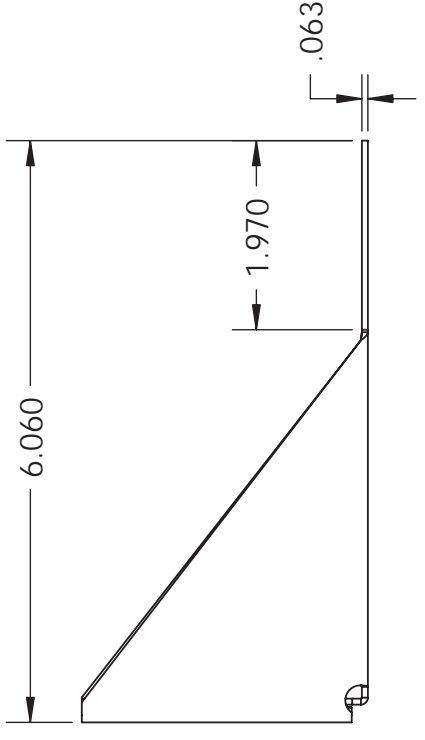
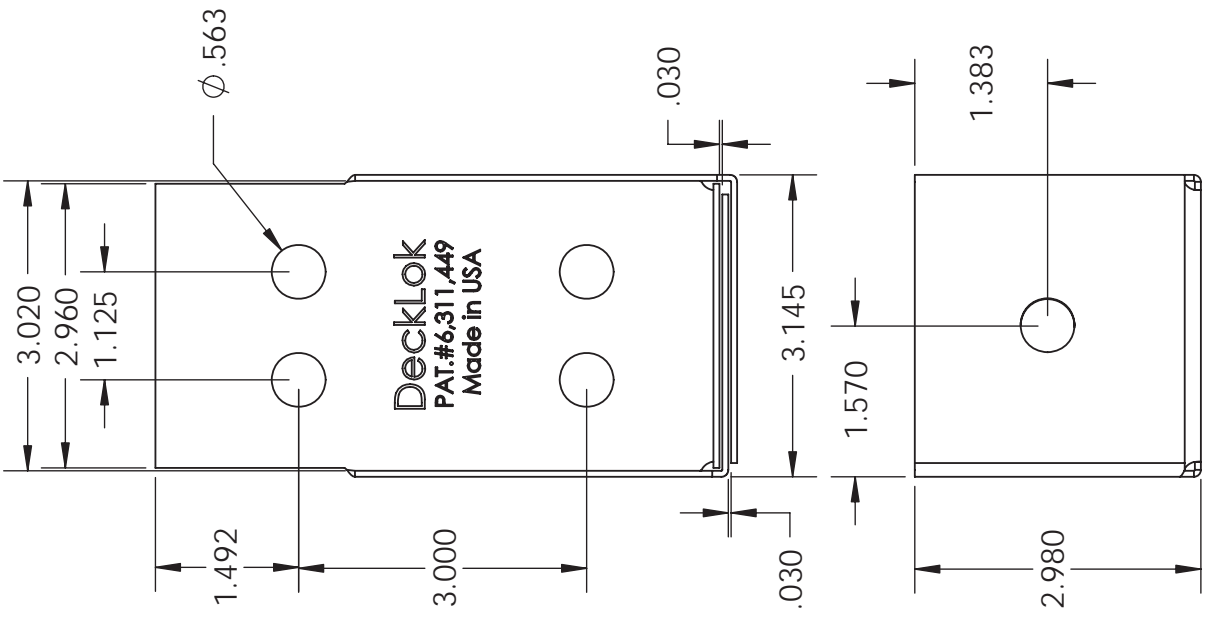
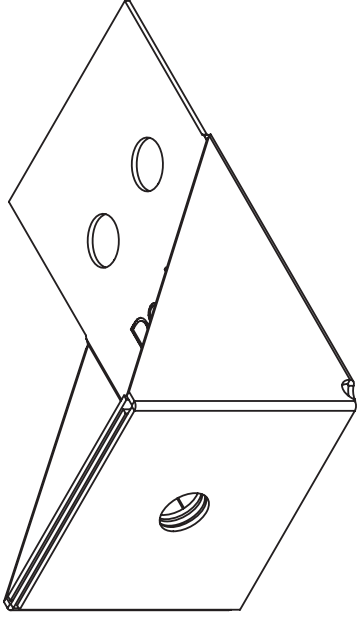
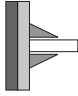


REV.	DESCRIPTION	DATE
A	MODIFIED DIMENSIONS REP SAMPLE PART	06/29/05
B	ADDED CHAMFER TO TAB, CHANGED STAMPED INFORMATION	07/08/05
C	INCREASED GAP BETWEEN OVERLAP TO .030	07/26/05
D	MODIFIED FLAT DIMENSION TO FIT DISPLAY ASSEMBLY	07/27/05
E	REMOVED CHAMFER	07/29/05
F	DECREASED DEPTH TO 2.980 TO FIT 3.020	08/03/05



 DECKLOK BRACKET SYSTEMS © DeckLok Bracket Systems, LLC		DECKLOK 001	
DIMENSIONS ARE IN INCHES TOLERANCES: FRACTIONAL 1/32 ANGULAR: MACH ±1/2° TWO PLACE DECIMAL ±.010 THREE PLACE DECIMAL ±.005		NAME: S.KOGA DATE: 06/27/05	TITLE: DECKLOK 001
DRAWN: S.KOGA ENG APPR:	COMMENTS:	SIZE: A DWG. NO.: DECKLOK 001	REV.: F
MATERIAL: --	FINISH: --	SCALE: 1:2	WEIGHT: --
DO NOT SCALE DRAWING		SHEET 1 OF 1	